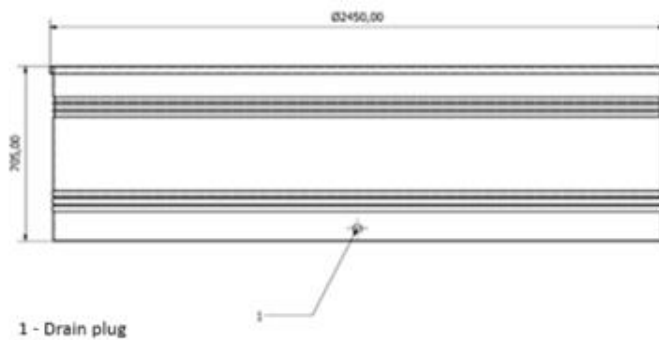


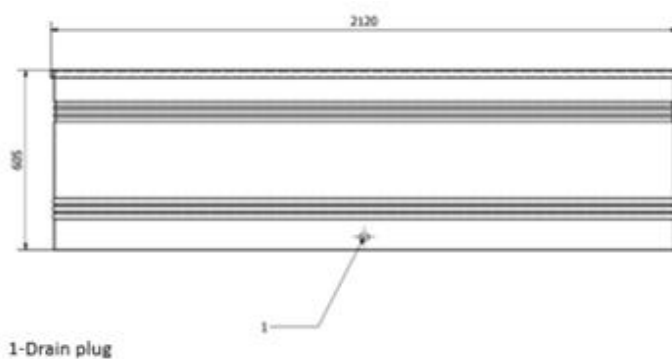
MANUAL AND INSTALLATION GUIDE

1. Figure



Description	Diameter	Height (mm)	Weight (kg)	ID
Pool/Tank 1.	2390 mm (+/- 60 mm)	700	76-82	MC-TP-Pool 1.
Pool/Tank 2.	2090 mm (+/- 60 mm)	700	63-68	MC-TP-Pool 2.
Pool/Tank 3.	1790 mm (+/- 60 mm)	700	50-55	MC-TP-Pool 3.

2. Figure



Description	Dimensions (mm)	Height (mm)	Weight (kg)	ID
Tub A	2150x800	600	43	MC-TP-Tub A.
Tub D	1820x640	600	35	MC-TP-Tub D.



Table of Contents

1. Product Information.....	1
2. Safety Warnings	2
2.1. Usage Restrictions	2
2.2. Children and Supervision.....	3
2.3. Temperature.....	3
3. Installation instruction	4
3.1. Preparation	4
3.2. Assembly, filling - draining.....	4
4. Cleaning and maintenance	5
4.1. Regular cleaning.....	5
4.2. Cleaning recommendations for different types of dirt	5
4.3. What NOT to do	5



1. Product Information

Thank you for choosing our stainless-steel pool or tub. This product is designed to meet the highest quality standards, using durable, hygienic materials. This tub is suitable for both outdoor and indoor bathing purposes. The product design complies with the MSZ EN 14516:2016 standard. Its cleanability and stability are excellent.

Products: Stainless Steel Outdoor Pools and Tubs

Models:

- Pools (see image and dimensions table)
- Tubs (see image and dimensions table)



2. Safety Warnings

Please read the following safety instructions carefully before use to prevent accidents.

2.1. Usage Restrictions

Water level: The pool and tub must only be filled with water to a level that ensures the user's head remains safely and comfortably above the water surface. An excessively high water level increases the risk of drowning, especially for children or individuals with restricted mobility.

No Jumping: Due to the shallow depth of the pool and tub (60-70 cm), it is **STRICTLY FORBIDDEN** to dive, jump, or plunge into the water from the edge of the pool and tub. This can cause severe spinal and head injuries! After entering the pool and tub, jumping, lifting a child or another person, and throwing them into the water is **PROHIBITED** and **DANGEROUS!**

Slip hazard: Stainless steel surfaces can become slippery when wet. Please exercise caution when entering and exiting the pool or tub.

Maximum number of simultaneous occupants:

Description	Diameter	Maximum Capacity (Persons/Kg)	ID
Pool/Tank 1.	2390 mm (+/- 60 mm)	6 / 450	MC-TP-Pool 1.
Pool/Tank 2.	2090 mm (+/- 60 mm)	4 / 300	MC-TP-Pool 2.
Pool/Tank 3.	1790 mm (+/- 60 mm)	3 / 225	MC-TP-Pool 3.

Description	Dimensions (mm)	Maximum Capacity (Persons/Kg)	ID
Tub A.	2150x800	3 / 225	MC-TP-Tub A.
Tub D.	1820x640	2 / 150	MC-TP-Tub D.



2.2. Children and Supervision

Children may only use the pools and bathtubs under constant adult supervision. Never leave children unattended in or near water.

2.3. Temperature

Hot surfaces: As the bathtub is made of stainless steel, the rim and inner surface may become hot when exposed to direct sunlight.

Touch the surface before getting in!

Please note: If the temperature is above 30 Celsius degrees please wet the rim before entering/exiting the pool. Pay attention to your kids while they are using the it. Water temperature: The water temperature in pools and tubs may not exceed 34 °C. Check the water temperature before entering!

3. Installation Guide

3.1. Preparation

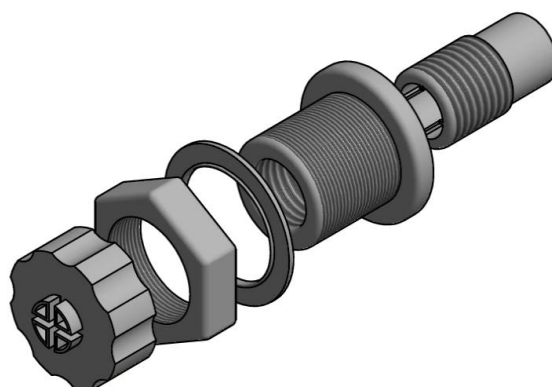
Removing the packaging: Carefully unpack the product without using sharp cutting tools, taking care not to damage the surfaces.

Base: **The pool and bathtub must be placed on a solid, level surface that can support the weight of the pool or bathtub filled with water and the user.** Placing the pool or tub on an uneven surface may damage or deform the product, which could cause injury or accident to the user.

3.2. Assembly, filling - draining

Install the drainpipe on the front side in position 1 as numbered in the product drawings. Carefully see the assembly instructions (see below).

Insert the drain plug into the hole with the sealing ring from the inside of the pool or tub, then screw the outer cap from on the outside.



Drain plug



4. Cleaning and maintenance

Stainless steel surfaces require regular cleaning to maintain their corrosion resistance. Products should always be kept clean. With proper care, surfaces can retain their original clean appearance for a long time.

4.1. Regular cleaning

Frequency: Weekly, or more often if necessary.

Tools: Soft sponge, microfiber cloth. NEVER use abrasive cleaning tools.

Cleaning agent: Mild liquid soap, dishwashing detergent.

Procedure: Wash the surface, then rinse with clean water.

4.2. Cleaning recommendations for different types of dirt

To remove stubborn dirt, use a cleaning agent specifically designed for stainless steel surfaces. E.g.: Stainless Steel Cleaner & Polish

Use natural vinegar-based cleaning agents to remove greasy, oily stains (e.g., sunscreen, sun oil). E.g., Stainless Steel Cleaner

For lime scale use citric acid cleaner.

4.3. What NOT to do

Do not leave metal objects (e.g., hairpins, metal boxes) on the surface of the bathtub, as they may leave rust stains.

Do not use chlorine-based cleaning agents, bleach (hypochlorite), or hydrochloric acid.

Do not use strong, abrasive polishing or cleaning agents.

Do not allow salt water or salt to dry on the surface. Do not fill the bathtub with seawater or hard water.